

2-3 Watt SHV Series

High Voltage Output
0~2KV



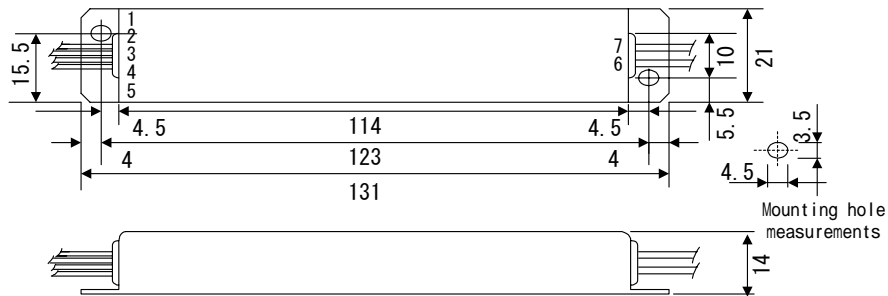
High Voltage DC-DC Converter

Input: 12V Output: 500V, 1000V, 1500V, 2000V

- Low Ripple Noise 30mV
- Minimum Size
- Output Voltage 0%-100% Adjustable
- 5-Side Metallic Shield Case
- Remote ON/OFF Control
- High Reliability, Long-life
- Short Circuit, Over-Current Protection
- Non-Isolated Type
- Easy Mounting Chassis
- Installed Type Between Input and Output
- Operating Temp Range -10°C to +60°C (Temp Derating Required)
- RoHS Compliance

Models SHV Series	Input V Vdc	Input I mA(typ.)	Output V Vdc	Output I mA	Line Reg % (typ.)	Ripple/ Noise mVpp(typ.)	Load k Ω(min.)
SHV12-0.5K6000P	10.8-13.2	390	0 to +500	0-6.0	0.03	30	83.3
SHV12-0.5K6000N			0 to -500				
SHV12-1.0K2000P	10.8-16.5	290	0 to +1000	0-2.0	0.03	30	500
SHV12-1.0K2000N			0 to -1000				
SHV12-1.5K1300P	10.8-16.5	290	0 to +1500	0-1.3	0.03	30	1150
SHV12-1.5K1300N			0 to -1500				
SHV12-2.0K1000P	10.8-16.5	340	0 to +2000	0-1.0	0.03	50	2000
SHV12-2.0K1000N			0 to -2000				

<Outline>

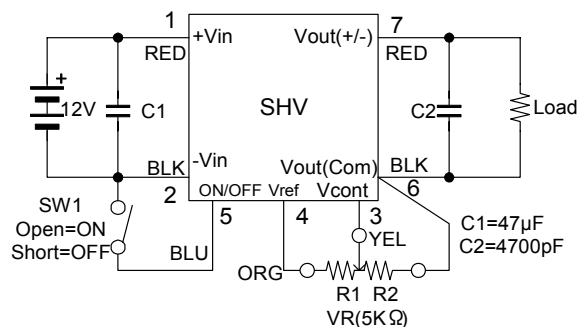


Pin	Function	Lead Color
1	+Vin	RED
2	-Vin	BLACK
3	Vcont	YELLOW
4	Vref	ORANGE
5	ON/OFF	BLUE
6	Vout (Com)	BLACK
7	Vout (+/-)	RED

Weight: 98g typ.

Units: mm

<Standard Connection Diagram>



- Note!
This catalogue is an outline of the products. When designing, be sure to refer to the data sheets.