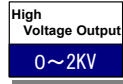
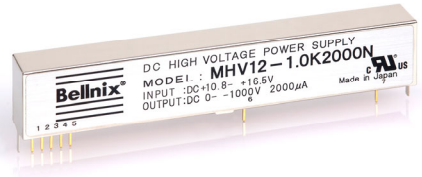


2-3 Watt MHV Series



UL60950



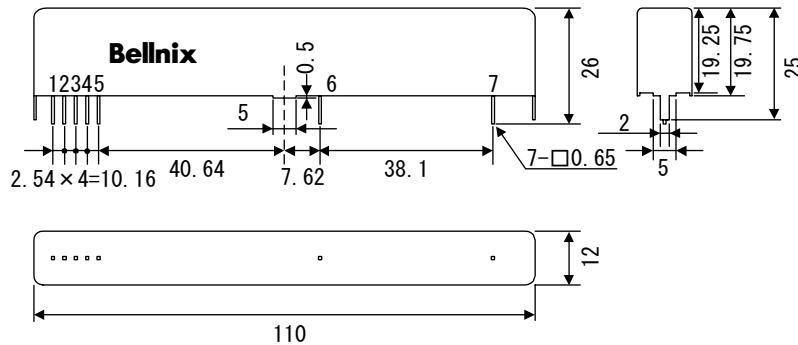
High Voltage DC-DC Converter

Input: 12V Output: 500V, 1000V, 1500V, 2000V

- Low Ripple Noise 30mV
- Minimum Size
- Output Voltage 0%-100% Adjustable
- Control Voltage 0-4V
- Control Resistor 5k Ω Adjustable Resistor
- 5-Side Metallic Shield Case
- High Reliability, Long-life
- Short Circuit, Over-Current Protection
- Non-Isolated Type Between Input and Output
- MTBF 400,000Hrs
- Operating Temp Range -10°C to +60°C (Temp Derating Required)
- RoHS Compliance
- UL certified

Models MHV Series	Input V Vdc	Input I mA(typ.)	Output V Vdc	Output I mA	Line Reg % (typ.)	Ripple/ Noise mVpp(typ.)	Load k Ω(min.)
MHV12-470S06P	10.8-13.2	390	0 to +500	0-6.0	0.03	40	83.3
MHV12-470S06N			0 to -500				
MHV12-1.0K2000P	10.8-16.5	280	0 to +1000	0-2.0	0.03	30	500
MHV12-1.0K2000N			0 to -1000				
MHV12-1.5K1300P	10.8-16.5	290	0 to +1500	0-1.3	0.03	30	1150
MHV12-1.5K1300N			0 to -1500				
MHV12-2.0K1000P	10.8-16.5	340	0 to +2000	0-1.0	0.03	50	2000
MHV12-2.0K1000N			0 to -2000				

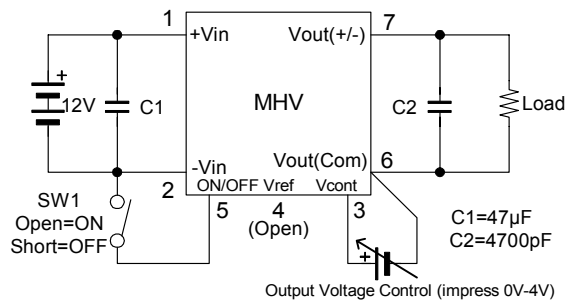
<Outline>



Pin	Function
1	+Vin
2	-Vin
3	Vcont
4	Vref
5	ON/OFF
6	Vout(Com)
7	Vout(+/-)

Weight: 65g typ.
Units: mm

<Standard Connection Diagram>



- Note!
This catalogue is an outline of the products.
When designing, be sure to refer to the data sheets.