

# Bellnix® Ultra Low Noise, Wide Temperature Operation, Small Size Isolated Type DC-DC Converter



## -40°C Startup (-25°C to +71°C Guarantee) 2 Watt BX-L Series



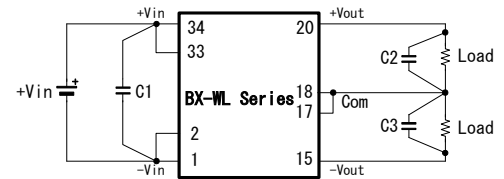
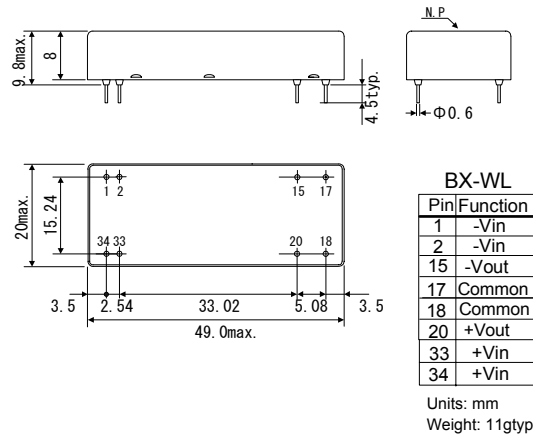
### Ultra Low Noise 8mVpp, Wide Temperature Operation, Isolated Type DC-DC Converter

#### Input: 5V Output: ±12V, ±15V

- Analog, Digital Optimum
- MTBF 1,000,000Hrs
- Short Circuit, Over-Current Protection
- No Electrolytic Capacitor, No Tantalum Capacitor
- 5-Side Metallic shield structure
- EMI Line Filter
- Over-Heat Protection
- Long-Life with TCT Patent Circuit
- Isolation Voltage DC500V
- Low Drift 30mV/8H
- RoHS Compliance
- Operating Temp Range: -25°C to +71°C (Derating required for 50°C)

Models BX-L Series	Input V Vdc	Output V Vdc	Output I mA	Line Reg % (typ.)	Load Reg % (typ.)	Ripple/Noise mVpp(typ.)	Efficiency % (typ.)
BX05-12W08L	4.75-6	±12	±0-80	0.3	0.3	8	60
BX05-15W07L		±15	±0-70				

Note 1: Derating required for input voltage above 5.25V.



#### - Recommended Capacitor

C1=22µF-33µF

(Electrolytic or multilayer ceramic capacitor)

C2, C3=0.47µF (Multilayer ceramic capacitor)

Basically, external capacitors are not required, but noise can be lowered by reducing power line impedance and load line impedance.

- Note! This catalogue is an outline of the product. When designing, be sure to refer to the datasheet.

## 2 Watt BJ-H Series



### AC4000V High Isolated Type DC-DC Converter

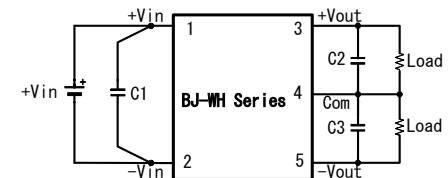
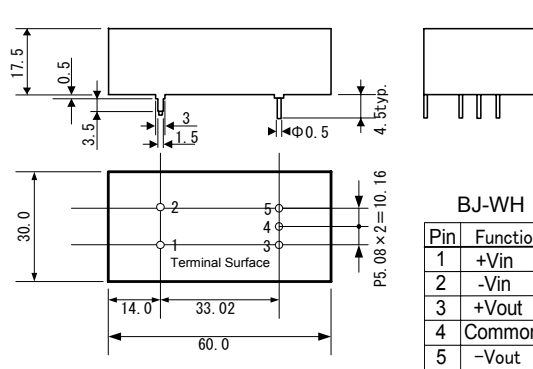
#### Input: 5V Output: ±12V, ±15V



- Isolation Voltage AC4000V
- Between Primary-Secondary combination capacitance of 20pF
- IEC601-1 Conformed Designing
- No Electrolytic Capacitor, No Tantalum Capacitor
- Floating Type between Input and Output
- 5-Side Metallic shield structure
- EMI Line Filter
- Over-Current Protection
- RoHS Compliance
- Operating Temp Range: -10°C to +60°C (Derating required for 50°C)

Models BJ-H Series	Input V Vdc	Output V Vdc	Output I mA	Line Reg % (typ.)	Load Reg % (typ.)	Ripple/Noise mVpp(typ.)	Efficiency % (typ.)
BJ05-12W08H	4.75-6	±12	±0-80	0.5	0.5	50	55
BJ05-15W07H		±15	±0-67				

Note 1: Derating required for input voltage above 5.25V.



#### - Recommended Capacitor

C1=33µF-47µF

(Electrolytic or multilayer ceramic capacitor)

C2, C3=1µF-2.2µF (Multilayer ceramic capacitor)

Basically, external capacitors are not required, but noise can be lowered by reducing power line impedance and load line impedance.

- Note!  
This catalogue is an outline of the products. When designing, be sure to refer to the data sheets.