

Wide Input Voltage Range, Save Mounting Space !
1.5 Watt BTA Series



The Fifth Generation, Ultra Small Size, Isolated Type DC-DC Converter

Input: 5V, 12V, 24V, 48V Output: 3.3V, 5V, 12V, 15V, ±12V, ±15V

- Adjustable Output Voltage
 - Remote ON/OFF Control
 - Dual Power Supply Usable As Single Power Supply
 - Isolation Voltage AC500V
 - Over-Current Protection
 - Under Voltage Lock Out
 - Input Over Current Protection
 - No Electrolytic Capacitor, No Tantalum Capacitor
 - MTTF 2,000,000Hrs
 - Metallic Shield Cover
 - Halogen-Free PCB Used
 - Between Primary and Secondary isolation capacitance is approx. 60-140pF
 - Operating Temp Range -40°C to +85°C (Temp Derating required)
 - RoHS Compliance
 - UL/C-UL Recognition
- Note
 This catalogue is an outline of the products. When designing, be sure to refer to the data sheets.

Models BTA Series	Input V Vdc	Output V Vdc	Output I mA	Line Reg. %(typ.)	Load Reg. %(typ.)	Ripple Noise mVpp(typ.)	Efficiency %(typ.)
BTA05-03S40X	4.5-9	3.3	0-400	0.6	1.2	40	71
BTA05-05S30X		5	0-300	0.4	0.8		
BTA05-12S12X		12(15)	0-125 (100)	0.35	0.85	30	80
BTA05-12W06X		±12(±15)	0-60 (50)	0.7	5		
BTA12-03S40X	9-18	3.3	0-400	0.6	1.2	40	73
BTA12-05S30X		5	0-300	0.4	0.8		
BTA12-12S12X		12(15)	0-125 (100)	0.35	0.85	30	82
BTA12-12W06X	±12(±15)	0-60 (50)	0.7	5			
BTA24-03S40X	18-36	3.3	0-400	0.6	1.2	40	72
BTA24-05S30X		5	0-300	0.4	0.8		
BTA24-12S12X		12(15)	0-125 (100)	0.35	0.85	30	81
BTA24-12W06X		±12(±15)	0-60 (50)	0.7	5		
BTA48-03S40X	36-76	3.3	0-400	0.6	1.2	40	70
BTA48-05S30X		5	0-300	0.4	0.8		
BTA48-12S12X		12(15)	0-125 (100)	0.35	0.85	30	80
BTA48-12W06X		±12(±15)	0-60 (50)	0.7	5		

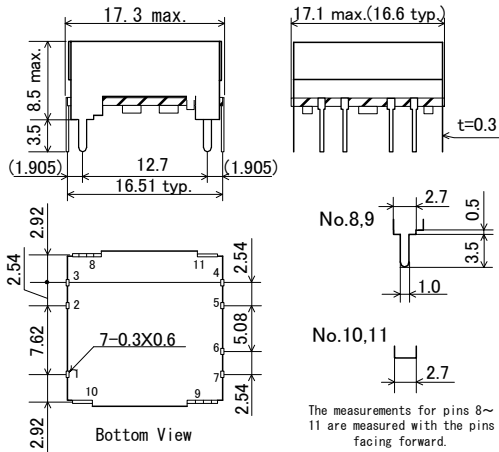
Note 1: Specify the type in the X column of the model name. D : DIP type, S : SMD type

Ex.) DIP type: BTA05-03S40D, SMD type: BTA05-03S40S

Note 2: The output voltage inside () is when it is short between Vadj and -Vout. The adjustable range for output voltages are 3.15-3.6V (3.3V products), 4.75-6V (5V products), 11.4-15V (12V products) respectively.

Note 3: The output current inside () is when adjusted to the max. output voltage.

<Outline> (DIP type)



BTA-S Series

Pin	Function
1	+Vin
2	ON/OFF
3	-Vin
4	NC
5	-Vout
6	Vadj
7	+Vout
8,9	Case Connection
10,11	Stand Off

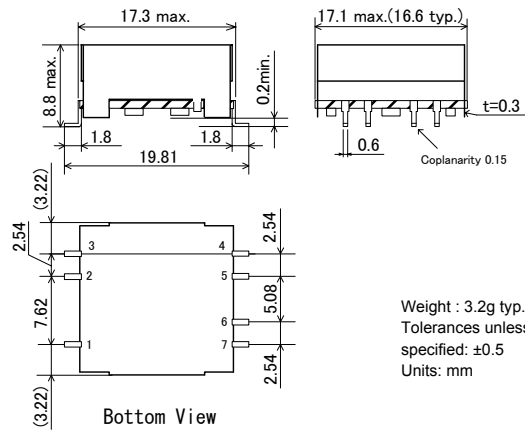
*8-11pin are only available for DIP type.

BTA-W Series

Pin	Function
1	+Vin
2	ON/OFF
3	-Vin
4	-Vout
5	Common
6	Vadj
7	+Vout
8,9	Case Connection
10,11	Stand Off

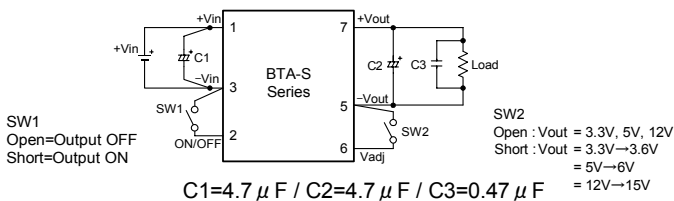
*8-11pin are only available for DIP type.

<Outline> (SMD type)

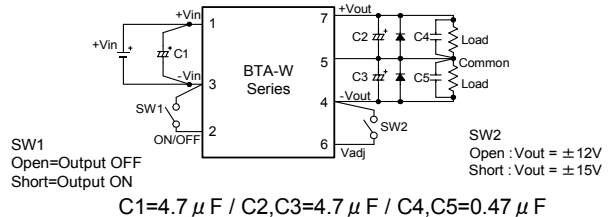


<Standard Connection Diagram>

BTA-S Series (3.3V, 5V, 12V, 15V)



BTA-W Series (±12V, ±15V)



- This product has limit to the capacity of external capacitor. Please refer to the data sheet
- Rated output voltage, with 6pin open. Output voltage is adjustable as shown above with Vadj and -Vout short.