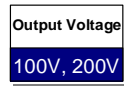


0.2 Watt BYH Series



Ultra Small Size, High Voltage Output DC-DC Converters/ BYH 0.2 Watt Series

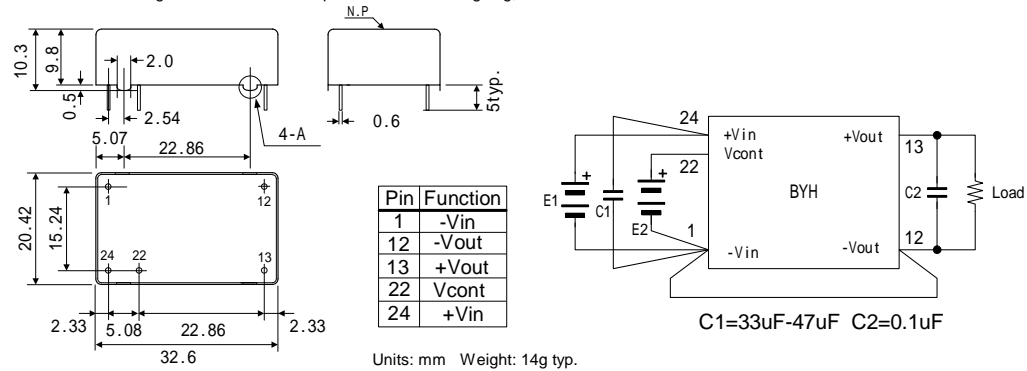
High Voltage, Isolated-Type DC-DC Converter

Input: 5V, 12V Output: 100V, 200V

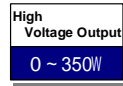
- Low Ripple Noise 10mV
- Minimum Size 1/7-1/9
- Output Voltage 0%-100% Adjustable
- Control Voltage
BYH05=0-3V
BYH12=0-10V
- Floating Output
- Short Circuit, Over-Current Protection
- Isolation Voltage DC250V
- MTBF 1,400,000Hrs
- Operating Temp. Range
-10°C to +60°C
(Derating required)
- RoHS Compliance

Models BYH Series	Input V Vdc	Input I mA(typ.)	Output V Vdc	Output I mA	Line Reg % (typ.)	Ripple/ Noise mVpp(typ.)	V Cont Vdc
BYH05-100S02	4.75-5.25	90	0-100	0-2	0.3	10	0-3
BYH12-100S02	11.0-16.0	34					0-10
BYH05-200S01	4.75-5.25	98	0-200	0-1			0-3
BYH12-200S01	11.0-16.0	41					0-10

- Note! This catalogue is an outline of the products. When designing, be sure to refer to the data sheets.



2.5-3 Watt MHV Series



High Voltage DC-DC Converter

Input: 12V Output: 180V, 300V, 350V

- Low Ripple Noise 30mV
- Minimum Size 1/7-1/9
- Output Voltage 0%-100% Adjustable
- Control Voltage 0-4V
- Control Resistor 5k
- Adjustable Resistor
- 5-Side Metallic Shield Case
- High Reliability, Long-life
- Short Circuit, Over-Current Protection
- Non-Isolated Type
- MTBF 400,000Hrs
- Operating Temp. Range
-10°C to +60°C
(Temp. derating required)
- RoHS Compliance
- UL certified

Models MHV Series	Input V Vdc	Input I mA(typ.)	Output V Vdc	Output I mA	Line Reg % (typ.)	Ripple/ Noise mVpp(typ.)	Load k ohm(min.)
MHV12-180S15P	10.8-13.2	350	0 to +180	0-15	0.02	30	12
MHV12-180S15N			0 to -180				
MHV12-300S10P	10.8-13.2	395	0 to +300	0-10	0.02	30	30
MHV12-300S10N			0 to -300				
MHV12-350S07P	10.8-13.2	330	0 to +350	0-7	0.02	30	50
MHV12-350S07N			0 to -350				

- Note! This catalogue is an outline of the products. When designing, be sure to refer to the data sheets.

